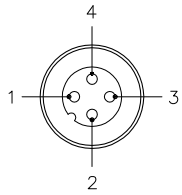
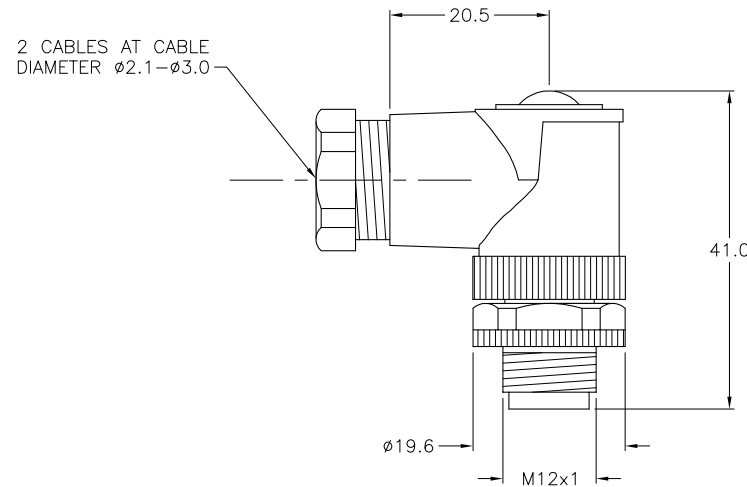


MALE END VIEW



SPECIFICATIONS

HOUSING MATERIAL/PLATING	NYLON/BLACK
CONTACT MATERIAL/PLATING	BRASS/GOLD
COUPLING NUT MATERIAL/PLATING	BRASS/NICKEL
RATED CURRENT [A]	4.0 A
RATED VOLTAGE [V]	250 V
MAXIMUM WIRE SIZE	18 AWG
TEMPERATURE RATING	-25°C to +85°C (-13°F to +185°F)
PROTECTION CLASS	IEC IP67



NOTE
PRELIMINARY
SPECIFICATIONS

SOURCE DRAWING - FOR REFERENCE ONLY

RELATED DOCUMENTS		3RD ANGLE PROJECTION		THIS DRAWING IS PROPERTY OF TURCK INC. USE OF THIS DOCUMENT WITHOUT WRITTEN PERMISSION IS PROHIBITED.		TURCK INC High Technology Sensors and Automation Controls 3000 CAMPUS DRIVE MINNEAPOLIS, MN 55441 1-800-544-7769 (763) 553-7300 (763) 553-0708 fax turck.com	
1.		TOLERANCES UNLESS OTHERWISE SPECIFIED	DRFT RDS DSGN	DATE	02/05/09	DESCRIPTION BS 8241-0/DUAL CABLE	
2.				SCALE	1=1.0		
3.		0.5 TO 6 ±0.1 6 TO 30 ±0.2 30 TO 200 ±0.3 OVER 200 ±0.4 ANGLES ±1°	UNIT OF MEASUREMENT		IDENTIFICATION NO. U2-02851		REV P1
4.			MILLIMETERS				
MATERIAL		SEE SPECIFICATIONS		DO NOT SCALE THIS DRAWING		FILE: U2-02851	
FINISH		SEE SPECIFICATIONS				SHEET 1 OF 1	

P1		RDS	02/05/09	
REV	DESCRIPTION	BY	DATE	ECO NO.